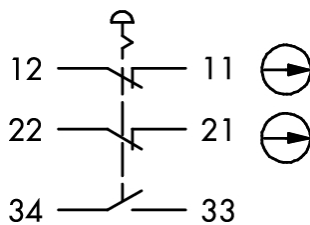
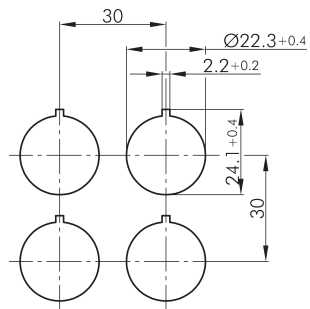
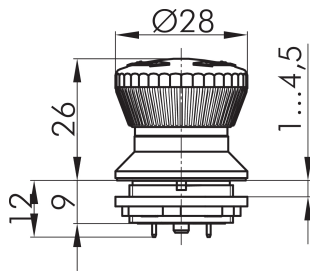




Emergency-stop 2NC+1NO FRVKOOIP



Category:	Emergency-stops
Series:	SHORTRON®
Panel cut-out:	Ø 22.3 mm
Mounting depth:	9 mm
Degree of protection:	IP65 / IP67
Illumination:	no
With labelling option:	no
Contact equipment:	2 NC + 1 NO
Connection type:	PCB-mount terminals
Front bezel	yellow
mushroom head	red
Positive opening:	acc. to EN60947-5-1, appendix K
Operating temperature:	-25°C ... 70°C
Mechanical life:	50,000 switching cycles
Shape:	round
Electrical life:	50,000 switching cycles at rated load
Storage temperature:	-40°C ... 80°C
Foolproof:	yes
Switching position indicator:	yes
Anti-lock collar:	no
Release:	twist right or left
Contact material:	AgNi